



IN DEVICE

INNOVATIVE DEVICE FOR INSTALLERS

AD | BOX

POWER AD

Tool for embedding PK60
flush-mounted boxes

User
Manual

PL | EN



5



4



3



2



1



Please read the Operator's Manual!

Dear customers,

Thank you for choosing the **IN DEVICE** brand. We hope that our product, which uses the latest technologies, will prove to be the most satisfactory.

POWER AD is an innovative tool for embedding PK 60 type flush-mounted boxes. Before using the tool, please read the manual. When passing the product on to another user, please also pass on these instructions. Please observe all warnings and information in the operating manual.



Important information
and helpful tips for use



WARNINGS: Safety warnings
concerning life-threatening and
property damage.



This tool was produced at modern and environment safety plant
without affecting nature.

Complies with
- the Machinery Directive 2006/42/EC

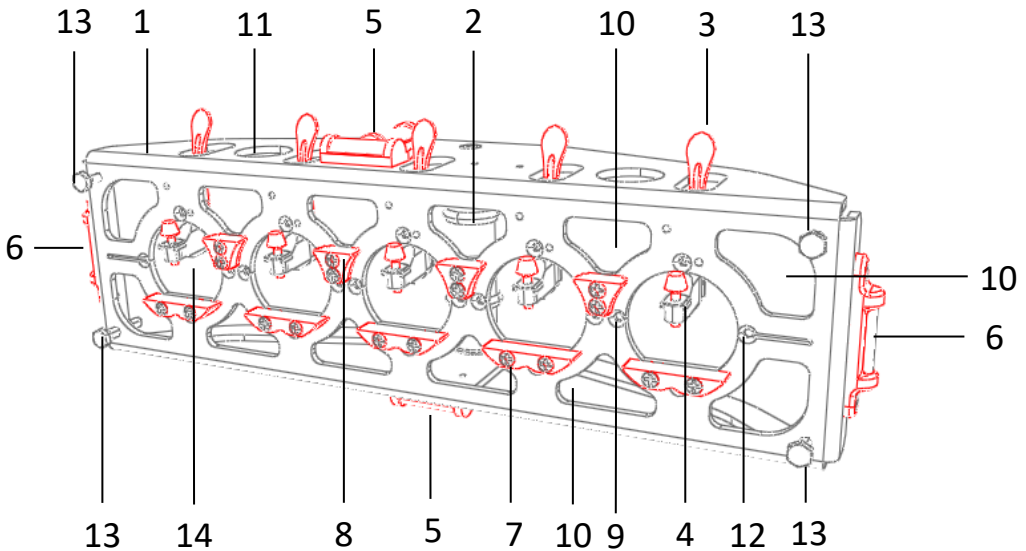


Designed and manufactured in Poland

TABLE OF CONTENT

| | | |
|----------|---|-----------|
| 1 | Product Overview | 4 |
| 1.1 | General description | 4 |
| 1.2 | Use | 5 |
| 1.3 | Characteristics | 5 |
| 1.4 | Adjustment of the distance from the wall | 6 |
| 1.5 | Execution of POWER AD | 6 |
| 2 | Installation of PK60 boxes with POWER AD | 7 |
| 2.1 | Installation steps | 7 |
| 2.2 | Setting the position of the clamps | 8 |
| 3 | Technical Data | 9 |
| 4 | Safety and environmental protection | 10 |
| 4.1 | General safety rules | 10 |
| 4.2 | Storage | 10 |
| 5 | Transport, cleaning and maintenance | 12 |
| 5.1 | Maintenance | 12 |
| 5.2 | Storage | 12 |
| 5.3 | Handling and transportation | 12 |
| 6 | Disposal and scrapping | 13 |
| 6.1 | Disposal and scrapping | 13 |
| 6.2 | Product Packaging | 13 |

1.1 General description



List of Power AD items

- | | | | |
|---|--------------------------|----|---------------------------------------|
| 1 | Base frame | 9 | Hole for the bolt of PK60 box |
| 2 | Grip | 10 | Hole for foam application |
| 3 | Manual clamp | 11 | Through - hole |
| 4 | PK 60 Box clamp | 12 | Viewing hole for level setting |
| 5 | Two-planes surface level | 13 | Adjusting the depth of embedding cans |
| 6 | Level line | 14 | Main through-hole for electric cables |
| 7 | Mounting box 1 | | |
| 8 | Mounting box 2 | | |

1.2 Execution of POWER AD

POWER AD tool is made of materials that ensure its durability in demanding construction conditions. The latest manufacturing technologies make the tool light and comfortable to use. Ease of use and ergonomic shape guarantee comfortable work. The tool contains measuring instruments and is calibrated. Loosening the elements may result in out-of-calibration of the tool. The appearance of the various versions of the tool may differ.

1.3 Use

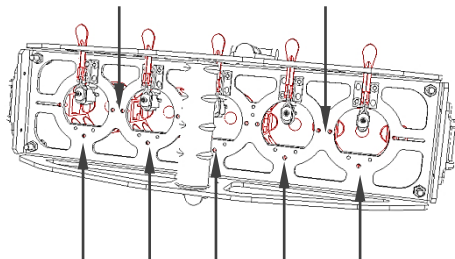
i **Power AD is a tool used for embedding electrical boxes.** It eliminates problems related to the assembly of PK60 electrical boxes. It is a tool that facilitates assembly work and ensures the highest standard of mounting the boxes in the wall. It is available in a version for 2, 3, 4 and 5 PK60 cans in a linear arrangement. It enables embedding horizontally and vertically, as well as in plastered and unfinished walls.

POWER AD is adapted to all types of flush-mounted boxes available on the market.

1.4 Characteristics

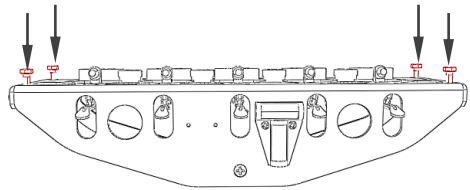
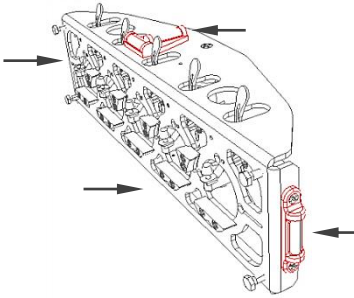
i Electric cans, are mounted in the tool with proper system stiffness and linearity position. The fastening process itself takes place by inserting boxes in the sockets and snapping the clamps. In the event of dimensionally defective batches of cans, or the occurrence of unforeseen factors, there is a possibility of additional fastening of the can to the handle.

For this purpose, appropriate openings were created to support the mounting of the cans.



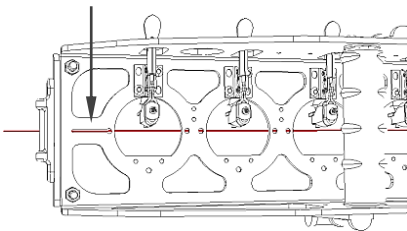
i **POWER AD** eliminates the occurrence of the oval of cans. It is also used for assembly in the case of using non-split boxes. There are special holes in the base frame structure through which the electric wires are led. Additional fastening of boxes with screws may be useful in the case of a large number of electric wires or defective boxes. The use of **POWER AD** tool does not require the use of additional devices. Indicators for horizontal or vertical position in all planes are placed on the tool.

Indicators for horizontal or vertical position in all planes are placed on the tool.



The setting of the levels is made directly with the tool.

In addition, at the ends of the tool, on both sides of the can axis, there are viewing holes to help position the tool parallel to the line drawn on the wall.



Obtaining a common plane of the wall and the front of the boxes is carried out by pressing the tool against the wall.

1.5 Adjustment of the distance from the wall

It is possible to set the tool in such a way that it automatically embeds the boxes at the appropriate distance from the wall to the thickness of the plaster or glaze. Adjustments are made with screws on the corners of the tool.



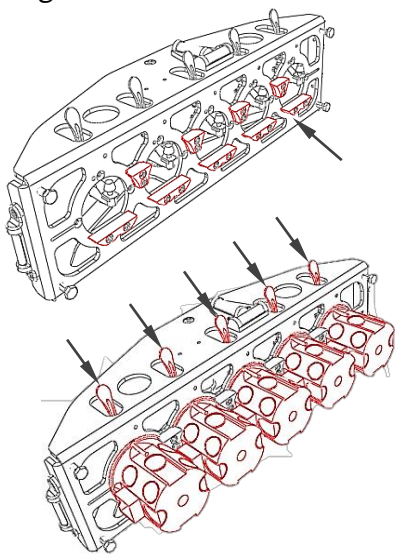
2.1 Assembly steps

1. Preparation and making of the hole in the wall for electrical boxes.

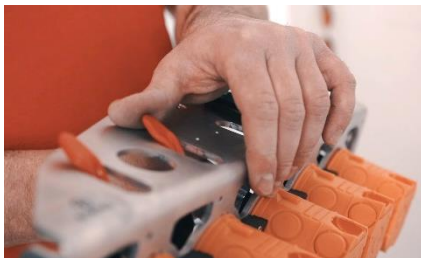


2. Fixing a row of boxes on POWER AD tool.

The boxes should be put against the tool frame in the socket between the fixings.



The boxes are blocked by moving the clamps (3) towards the boxes.



3. Passing through the electric cables and fixing the boxes in the holes in the wall.



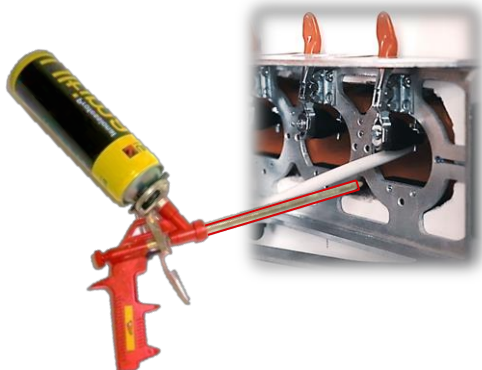
4. Embedding the boxes in the wall.



Setting the tool in the appropriate position (vertical or horizontal).



5. It is possible application of mounting foam through the holes.



6. Releasing the clamps and pull out the POWER AD in the upward direction.

i Removal of the POWER AD should take place after the mounting adhesive material has concentrated.

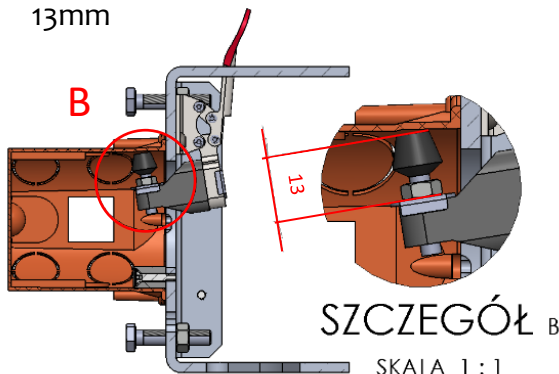


7. Finishing the wall surface.

8. After the work is done, the cleaned tool should be stored in the box provided by the manufacturer.

2.2 Setting the position of the clamps

Set the clamps by regulating the nut to distance as to properly press down type of your can. Preferred dimension 13mm



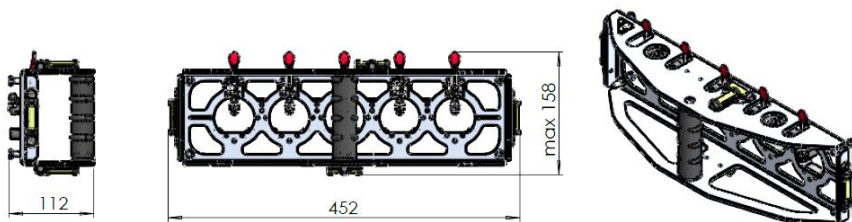
3

Technical parameters

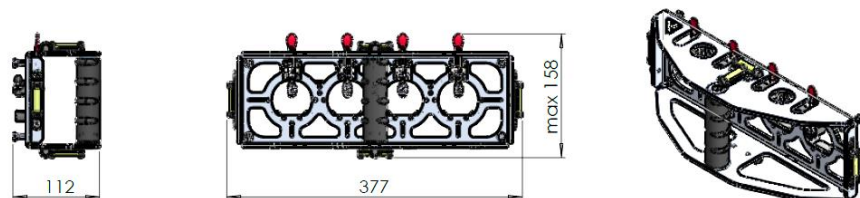
POWER AD is available in four variants depending on the number of boxes installed at one time.

Below are the dimensions and weight of individual devices.

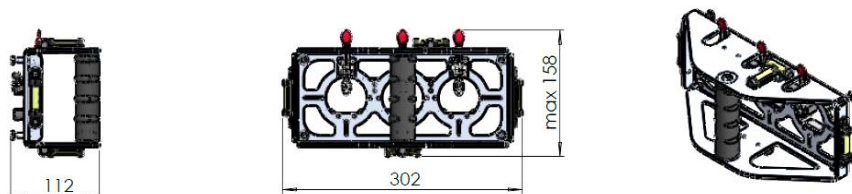
POWER AD5 weight: 1,2kg - installation of up to 5 boxes at the same time



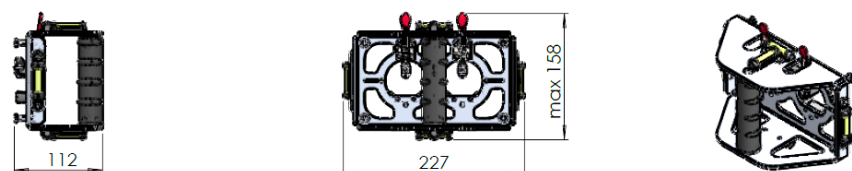
POWER AD4 weight: 1kg - installation of up to 4 boxes at the same time



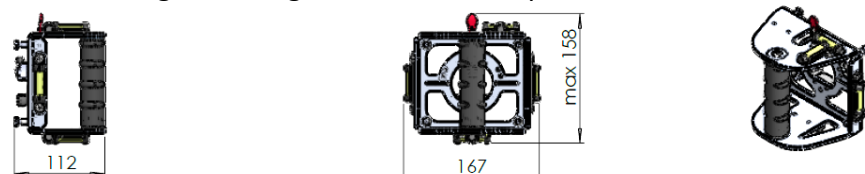
POWER AD3 weight: 0,85kg - installation of up to 3 boxes at the same time




POWER AD2 weight: 0,7kg - installation of up to 2 boxes at the same time



POWER AD1 weight: 0,55kg - installation of up to 1 box



 This chapter includes safety instructions that will help you to protect against personal injury or property damage. Failure to follow these instructions voids the granted warranty.

1.1 General safety rules



Working with POWER AD tool, and all intermediate work, must take place with the power supply of the electrical system in the place of installation - switched off.

- The device complies with international safety standards.
- The tool should be used in accordance with the general principles of occupational health and safety.
- Using POWER AD tool, the operator must be wearing safety shoes and work clothes.
- Adjustment must be made according to the instructions and using approved tools.
- The place of installation of the boxes must be free of any random objects within the operator's work area.

- Follow the correct order of work, as described in the manual, to avoid undesirable events.
- Dropping the tool can result in injury, if safety shoes and work clothes are not worn.
- POWER AD tool should be used by one person only.
- The tool does not need to be connected to the power supply.
- Works preceding and following the use of POWER AD should be performed taking into account the principles of occupational health and safety rules and using personal protective equipment (safety glasses, gloves, safety shoes, work clothes).
- The use of chemicals related to the operation of the POWER AD tool (mounting foam, gypsum or other) should be in accordance with the instructions of the manufacturers of these substances and with respect to health and safety rules.

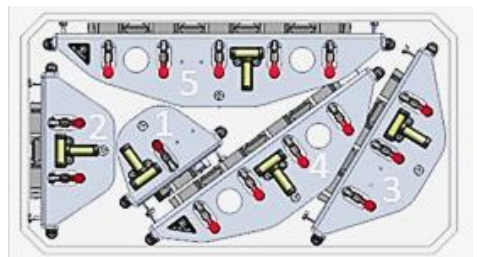
- Be careful when inserting the PK60 boxes on the POWER AD sockets.
- Be careful when pushing the clamps of the hand clamp.
- As listed in the section on cleaning and maintenance, the device should be cleaned with the use of appropriate tools and cleaning agents.
- Use only original spare parts or those recommended by the manufacturer.
- Keep the package with the tool out of the reach of children.
- The tool may contain sharp edges and metal filings on the surface.
- The tool should be stored and transported in accordance with the manufacturer's recommendations.
- The tool has been produced in industrial conditions in compliance with all safety conditions.

4.2 Storage

POWER AD tool is delivered from the manufacturer in intermediate unit packages or in a professional box, depending on the type of order.



i When transferring electric cables, make sure that the electrical system is not plugged into the mains.



5.1 Maintenance

The tool should be washed with water and dried each time after use. Scrape off the deposits with a copper or a soft brass brush.



i POWER AD does not require additional security.

5.2 Storage

- If the device is not going to be used for an extended period of time, it should be stored in a safe place.
- Remove the PK60 boxes and other items that may have been used during the deposition.
- Clean the device and dry it.
- Put POWER AD in a suitable place in a case or a box.
- The device must be kept out of the reach of children.

5.3 Handling and transportation

- POWER AD should be handled and transported in its original packaging. It protects the tool against physical damage.
- Do not place heavy loads on the tool or package. This can damage the entire tool or its components.
- If dropped, it may become out of balance or permanently damaged.
- The POWER AD set includes a carrying and storage case. The suitcase is available for the entire set or for each POWER AD size separately.

6.1 Disposal and scrapping



Adopted constructional solutions and high-quality components allow for proper operation of the device for about 10 years. Nevertheless, changes that may occur much earlier, and cannot be foreseen today, changes in the Customer's needs, or changes in regulations and standards, forcing the equipment to be adapted or withdrawn from use, may result in the necessity of its utilization and scrapping. This also applies to replaced or repaired parts or assemblies of the device. The buyer is obliged to perform these activities in accordance with the legal status in force at the time and place.

i All components of the tool are allowed to be recycled.

6.2 Product Packaging.



Packaging of this tool is made of materials that are allowed to be recycled. Packaging must be disposed of in accordance with local environmental regulations, so that all materials can be recycled.



IN DEVICE

INNOVATIVE DEVICE FOR INSTALLERS

 www.indevice.pl

Produced by:



BMKL Grupa Lackosz Sp. J.

Ul. Grunwaldzka 93/6

32-540 Trzebinia

TAX ID: 628-227-80-91



+48 603 247 064

+48 663 436 629



biuro@indevice.pl